

Omega – Light Frames

Product Specification Data Sheet

Description

Extruded aluminium light frames, ideal for seamless and easy installation. Frames are finished with a white Polyester Powder coat, and constructed using high quality materials.

Dimensions:

- 1220 x 610mm
- 610 x 610mm

Weight:

- 1220 x 610mm – 0.8Kg
- 610 x 610mm – 0.54Kg

Paint:

- Excellent anti-corrosion
- Outdoor Durability
- Scratch resistant
- Environmentally friendly
- Excellent U.V rating
- Humidity resistant

Aluminium:

- Inspection Certificate 3.1 conforms to EN 10204
- Physical & Chemical quality requirements conform with DUBAL (Dubai Aluminium) specifications
- Cast billets are 100% ultrasonic inspected
- Chemical analysis were performed in accordance with ASTM E 1251-11
- Free of gamma emitting radioactive contamination exceeding natural radioactivity
- Homogenized

Applications:

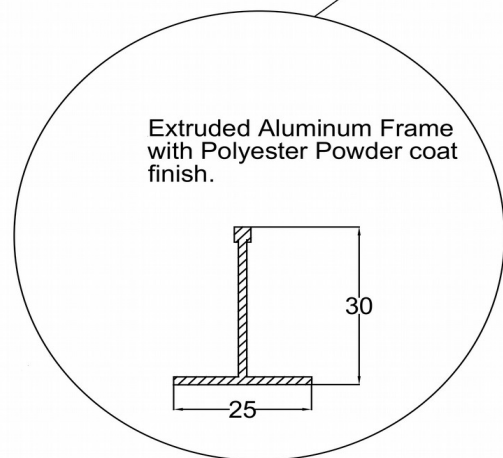
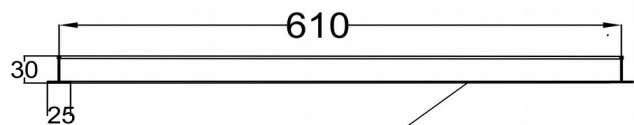
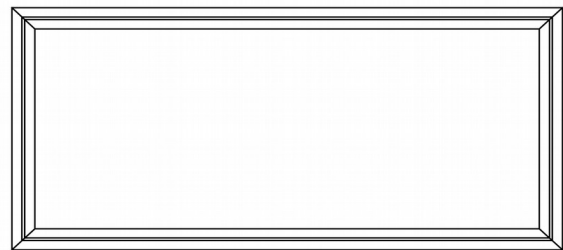
Can be used for a wide range of interior and exterior purposes, both residential and commercial.
Ex. Offices, corridors, kitchens, etc.

Features:

- Lightweight
- Built to last
- Easy to use & Install
- Resistant to moisture
- Strong and durable



Aluminum Light Frame
1220 x 610 & 610 x 610 mm.



Omega Manufacturing Limited – 19D David Blake Street, O’meara Industrial Estate, Arima, Trinidad W.I.
Phone: 868-646-0436 – Fax: 868-646-1915 – www.omegamanufacturing.co – magostini@omegamanufacturing.co

Made In Trinidad & Tobago